



Type N F/F In/Out Coax RF Surge Protector, 125MHz - 1GHz, DC Block, 375W, None, 220uJ, 50kA, Blocking Cap and Gas Tube

RF Surge Protectors Technical Data Sheet

PE73SP1021

Features

- Surge current of 50kA
- Max Power 375W
- Frequency range from 125 MHz to 1000 MHz
- N Female to N Female connectors
- VSWR <1.1:1
- Multi-strike capability
- CE & RoHS compliant

Applications

- HF, UHF and VHF radios
- Ham radios
- Remote industrial monitoring

Description

RF surge protector (also known as lightning arrester) PE73SP1021 from Pasternack utilizing a proprietary surge protection technology protects critical hardware from lightening events while maintaining the RF performance. This RF surge protector component is manufactured in a coaxial in-line design with wide operating frequency range. Optional weather proofing kit and copper cleaning kit are available for purchase separately. All Pasternack RF surge protector products are available in stock with same day shipping.

Electrical Specifications

Surge Protector Type
DC Handling

Blocking Cap and Gas Tube
DC Block

Description	Minimum	Typical	Maximum	Units
Frequency Range	125		1,000	MHz
Impedance		50		Ohms
VSWR			1.1:1	
Insertion Loss			0.1	dB
Input Power, CW			375	Watts
375W @ 125 to 220MHz				
125W @ 220 to 700MHz				
50W @ 700 to 1000MHz				
Surge Current			50	kA
IEC 61000-4-5 8/20µs WAVEFORM 500J				
Turn On Voltage		600 ±20%		Volts
Throughput Energy			220	µJ
@ 3kA, 8/20µs WAVEFORM				

Click the following link (or enter part number in "SEARCH" on website) to obtain additional part information including price, inventory and certifications: [Type N F/F In/Out Coax RF Surge Protector, 125MHz - 1GHz, DC Block, 375W, None, 220uJ, 50kA, Blocking Cap and Gas Tube PE73SP1021](#)



Type N F/F In/Out Coax RF Surge Protector, 125MHz - 1GHz, DC Block, 375W, None, 220uJ, 50kA, Blocking Cap and Gas Tube

RF Surge Protectors Technical Data Sheet

PE73SP1021

Mechanical Specifications

Configuration

Input Connector	N Female
Output Connector	N Female

Environmental Specifications

Temperature

Operating Range	-50 to +50 deg C
Storage Range	-55 to +85 deg C

Ingress Protection (IP) Rating	None
--------------------------------	------

Compliance Certifications (see [product page](#) for current document)

Plotted and Other Data

Notes:

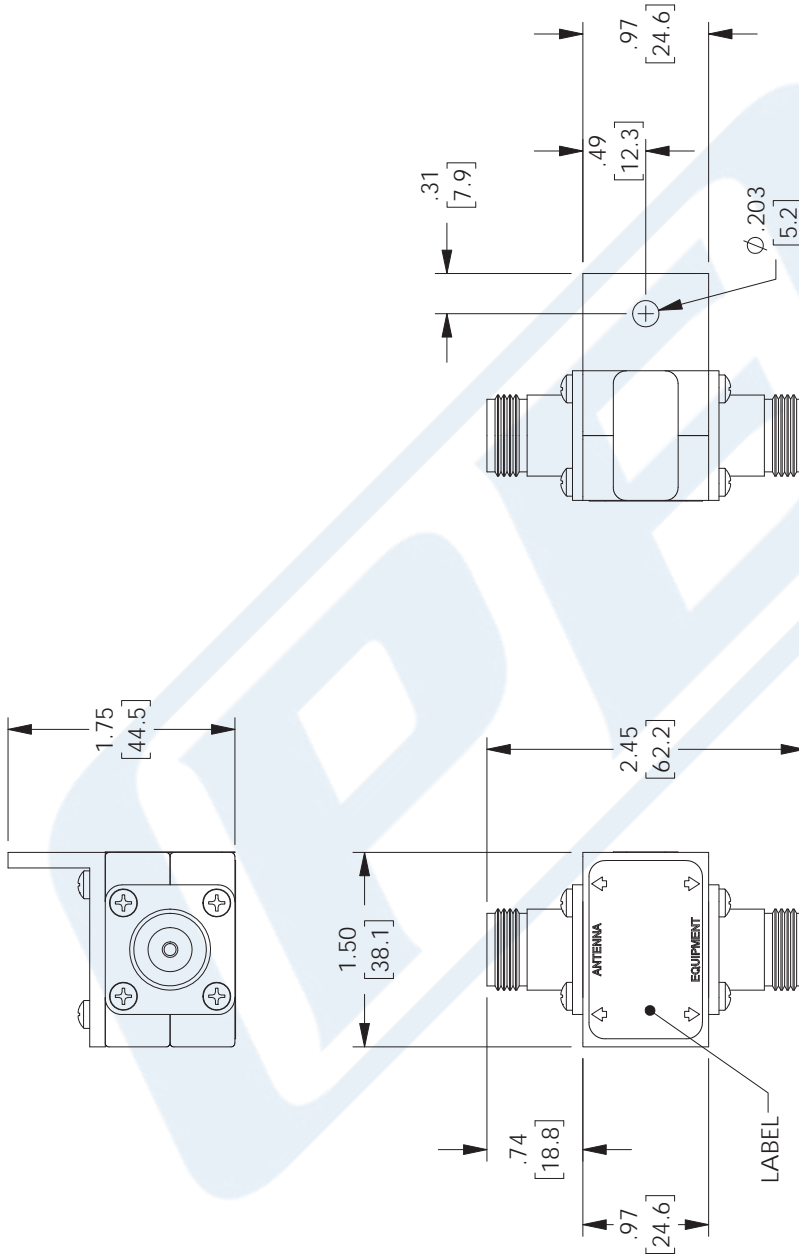
Type N F/F In/Out Coax RF Surge Protector, 125MHz - 1GHz, DC Block, 375W, None, 220uJ, 50kA, Blocking Cap and Gas Tube from Pasternack Enterprises has same day shipment for domestic and International orders. Our RF, microwave and millimeter wave products maintain a 99.4% availability and are part of the broadest selection in the industry.

Click the following link (or enter part number in "SEARCH" on website) to obtain additional part information including price, inventory and certifications: [Type N F/F In/Out Coax RF Surge Protector, 125MHz - 1GHz, DC Block, 375W, None, 220uJ, 50kA, Blocking Cap and Gas Tube PE73SP1021](#)

URL: <https://www.pasternack.com/type-n-surge-protector-1ghz-blocking-cap-gas-tube-pe73sp1021-p.aspx>

PE73SP1021 CAD Drawing

Type N F/F In/Out Coax RF Surge Protector, 125MHz - 1GHz, DC Block, 375W, None, 220uJ, 50kA, Blocking Cap and Gas Tube



NOTES:

HARDWARE INCLUDED.

REGULATORY COMPLIANCE:
CE2011/65/EU (RoHS DIRECTIVE)

STANDARD TOLERANCES

.X ±0.2
.XX ±0.01
.XXX ±0.005

*STANDARD TOLERANCES APPLY ONLY TO DIMENSIONS IN INCHES



Pasternack Enterprises, Inc.
P.O. Box 16759 | Irvine | CA | 92623

Phone: (949) 261-1920 | Fax: (949) 261-7451

Website: www.pasternack.com | E-Mail: sales@pasternack.com

DWG TITLE

PE73SP1021

NOTES:
1. UNLESS OTHERWISE SPECIFIED ALL DIMENSIONS ARE NOMINAL.
2. ALL SPECIFICATIONS ARE SUBJECT TO CHANGE WITHOUT NOTICE AT ANY TIME.
3. DIMENSIONS ARE IN INCHES (mm).

CAGE CODE 53919

CAD FILE 3/23/18

SCALE N/A

SIZE A

256