



DC Block on Inner Conductor 1.85mm Male to 1.85mm Female Operating from 10 MHz to 65 GHz

## DC Blocks Technical Data Sheet

PE8258

### Features

- Inner DC Block
- Operates from 10 MHz to 65 GHz
- Good Insertion Loss of 1.25 dB Max

### Applications

- Test & Measurement
- Ground Loop Elimination
- Signal to Noise Ratio (SNR) Improvement

### Description

Pasternack's PE8258 is an inner DC block with 1.85mm connectors. It has a blocking capacitor on the inner conductor and operates from 10 MHz to 65 GHz. Our 1.85mm DC block offers good insertion loss of 1.25 dB and has a maximum operating voltage of 16 Vdc. DC blocks are commonly used to filter out unwanted DC signals, while allowing AC drive signals to pass through. They can help improve signal to noise ratio (SNR), eliminate ground loops, or provide isolation in your test setup. All of Pasternack's DC blocks are in stock and available to ship same-day.

### Electrical Specifications

Description	Minimum	Typical	Maximum	Units
Frequency Range	0.01		65	GHz
Impedance		50		Ohms
VSWR			1.6:1	
Insertion Loss			1.25	dB
Operating Voltage (DC)			16	Volts
Input Power (CW)			1	Watt

### Mechanical Specifications

<b>Size</b>	
Length	0.805 in [20.45 mm]
Width	0.312 in [7.92 mm]
Weight	0.011 lbs [4.99 g]
<b>Configuration</b>	
Design	Inner DC Block
Package Type	Connectorized

Click the following link (or enter part number in "SEARCH" on website) to obtain additional part information including price, inventory and certifications: [DC Block on Inner Conductor 1.85mm Male to 1.85mm Female Operating from 10 MHz to 65 GHz PE8258](#)



DC Block on Inner Conductor 1.85mm Male to 1.85mm Female Operating from 10 MHz to 65 GHz

## DC Blocks Technical Data Sheet

PE8258

Description	Connector 1	Connector 2
Type	1.85mm Male	1.85mm Female
Inner Conductor Material and Plating	Beryllium Copper, Gold	Beryllium Copper, Gold
Inner Conductor Plating Specification	MIL-PRF-39012	MIL-PRF-39012
Dielectric Type	PTFE	PTFE
Outer Conductor Material and Plating		Passivated Stainless Steel
Outer Conductor Plating Specification		ASTM A380
Coupling Nut Material and Plating	Passivated Stainless Steel	
Coupling Nut Plating Specification	ASTM A380	
Torque	8 in-lbs [0.9 Nm]	
Body Material and Plating	Passivated Stainless Steel	Passivated Stainless Steel
Body Plating Specification	ASTM A380	ASTM A380

### Environmental Specifications

#### Temperature

Operating Range -55 to +100 deg C

**Compliance Certifications** (see [product page](#) for current document)

### Plotted and Other Data

Notes:

DC Block on Inner Conductor 1.85mm Male to 1.85mm Female Operating from 10 MHz to 65 GHz from Pasternack Enterprises has same day shipment for domestic and International orders. Our RF, microwave and millimeter wave products maintain a 99.4% availability and are part of the broadest selection in the industry.

Click the following link (or enter part number in "SEARCH" on website) to obtain additional part information including price, inventory and certifications: [DC Block on Inner Conductor 1.85mm Male to 1.85mm Female Operating from 10 MHz to 65 GHz PE8258](#)

URL: <https://www.pasternack.com/50-ohm-1.85mm-inner-dc-block-10-mhz-65-ghz-pe8258-p.aspx>

The information contained in this document is accurate to the best of our knowledge and representative of the part described herein. It may be necessary to make modifications to the part and/or the documentation of the part, in order to implement improvements. Pasternack reserves the right to make such changes as required. Unless otherwise stated, all specifications are nominal. Pasternack does not make any representation or warranty regarding the suitability of the part described herein for any particular purpose, and Pasternack does not assume any liability arising out of the use of any part or documentation.

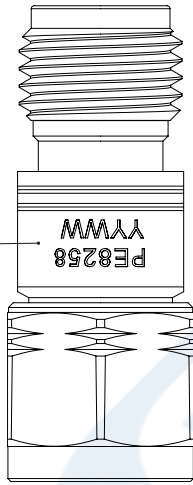
# PE8258 CAD Drawing

DC Block on Inner Conductor 1.85mm Male to 1.85mm Female Operating from 10 MHz to 65 GHz

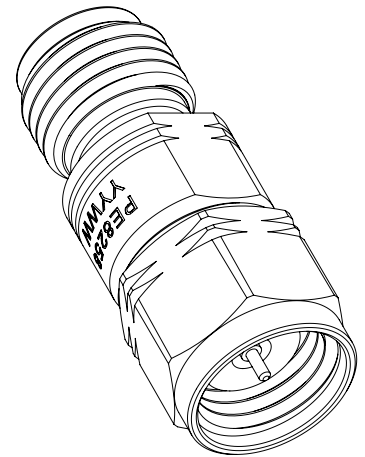
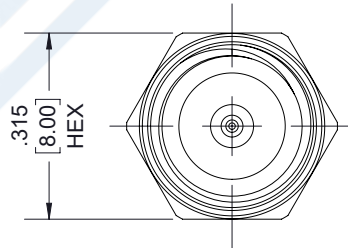
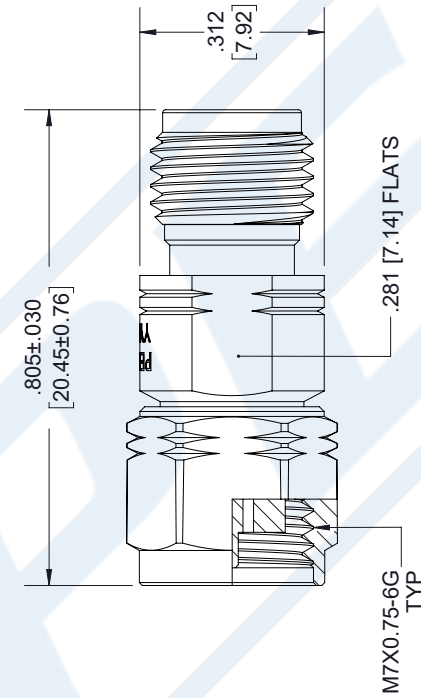
REVISIONS		
REV.	DESCRIPTION	DATE
A	INITIAL RELEASE	4/2/2020
		APPROVED
		S.PONG

1.85mm FEMALE

MARKING AREA



1.85mm MALE



UNLESS OTHERWISE SPECIFIED  
LEADING DIMENSIONS ARE INCHES  
DIMENSIONS IN [ ] ARE MILLIMETERS

TOLERANCES:  
 .X = ±.2 [5.08]    FRACTIONS ± 1/32  
 .XX = ±.02 [.51]    ANGLES ± 1°  
 .XXX = ±.005 [.13]    CABLE LENGTH (L) TOLERANCES:  
                                  L ≤ 12 [305] = +1 [25] / -0  
                                  12 [305] < L ≤ 60 [1524] = +2 [51] / -0  
                                  60 [1524] < L ≤ 120 [3048] = +4 [102] / -0  
                                  120 [3048] < L ≤ 300 [7620] = +6 [152] / -0  
                                  300 [7620] < L = +5% / L / -0  
 ALL DIMENSIONS SHOWN  
ARE FOR REFERENCE ONLY.

**PE PASTERNAK**  
an INFINIT brand

Pasternack Enterprises, Inc.  
P. O. Box 16759, Irvine, CA 92623.  
Phone: 1.949.261.1920 | 1.866.727.8376  
Fax: 1.949.261.7451  
Website: www.pasternack.com  
E-mail: sales@pasternack.com

THIRD-ANGLE PROJECTION

THE INFORMATION AND DESIGN IN THIS DOCUMENT IS THE PROPERTY OF PASTERNAK CORPORATION. ALL RIGHTS RESERVED.

SHEET 1 OF 1

SCALE N/A

REV A

ITEM NO. PE8258

DRAWN BY K.DANG

CAGE CODE A 53919

THESE COMMODITIES, TECHNOLOGY OR SOFTWARE WERE EXPORTED FROM THE UNITED STATES IN ACCORDANCE WITH THE EXPORT ADMINISTRATION REGULATIONS. DIVERSION CONTRARY TO U.S. LAW PROHIBITED.