

2.4mm Male to Mini SMP Female Adapter



PE91550

Configuration

- 2.4mm Male Connector 1
- Mini SMP Female Connector 2
- 50 Ohms Impedance
- Straight Body Geometry

Features

- Max VSWR of 1.3:1 up to 50 GHz
- Contact plating according to MIL-G-45204
- Gold Plated Beryllium Copper Contact

Applications

- Allows Connection Between Series
- General Purpose Test

Description

Pasternack's PE91550 2.4mm male to Mini SMP female adapter is part of our full line of RF components available for same-day shipping. The 2.4mm connector mates mechanically with commercially available 1.85mm (V) connectors. Our 2.4mm to Mini SMP adapter has a male to female gender configuration. PE91550 2.4mm male to Mini SMP female adapter is gold plated and operates to 50 GHz. The Pasternack RF adapter provides good VSWR of 1.3:1 maximum.

RF adapters are often used to enable connections between two connector types that would otherwise not mate. Certain adapter configurations can also be used to protect connectors on expensive equipment where the number of connect/disconnect cycles is high. An RF, microwave or millimeter wave adapter is connected to the equipment, and the commonly changed connection is made with the adapter which can be easily replaced when it wears out after high usage; such adapters are referred to as connector savers. Pasternack also offers bulkhead, panel mount, hermetically sealed, reverse polarity, and isolated ground adapter varieties to serve all of your RF, microwave and millimeter wave needs.

Electrical Specifications

Description	Minimum	Typical	Maximum	Units
Frequency Range	DC		50	GHz
Impedance		50		Ohms
VSWR			1.3:1	

Electrical Specification Notes:
Values at 25°C, sea level.

Mechanical Specifications

Size

Length	0.81 in [20.52 mm]
Width	0.31 in [7.92 mm]
Height	0.31 in [7.92 mm]

Description	Connector 1	Connector 2
Polarity	Standard	Standard
Hex Size	5/16 in.	

2.4mm Male to Mini SMP Female Adapter



PE91550

Material Specifications

Description	Connector 1		Connector 2	
	Material	Plating	Material	Plating
Type	2.4mm Male		Mini SMP Female	
Contact	Beryllium Copper	Gold MIL-G-45204	Beryllium Copper	Gold MIL-G-45204
Insulation	PTFE		PTFE	
Outer Conductor			Beryllium Copper	Gold MIL-G-45204
Body	Beryllium Copper	Gold MIL-G-45204	Beryllium Copper	Gold MIL-G-45204
Coupling Nut	Passivated Stainless Steel	AMS-QQ-P-35		

Environmental Specifications

Temperature

Operating Range -55 to +125 °C

Compliance Certifications (see [product page](#) for current document)

Plotted and Other Data

2.4mm Male to Mini SMP Female Adapter from Pasternack Enterprises has same day shipment for domestic and International orders. Our RF, microwave and millimeter wave products maintain a 99.4% availability and are part of the broadest selection in the industry.

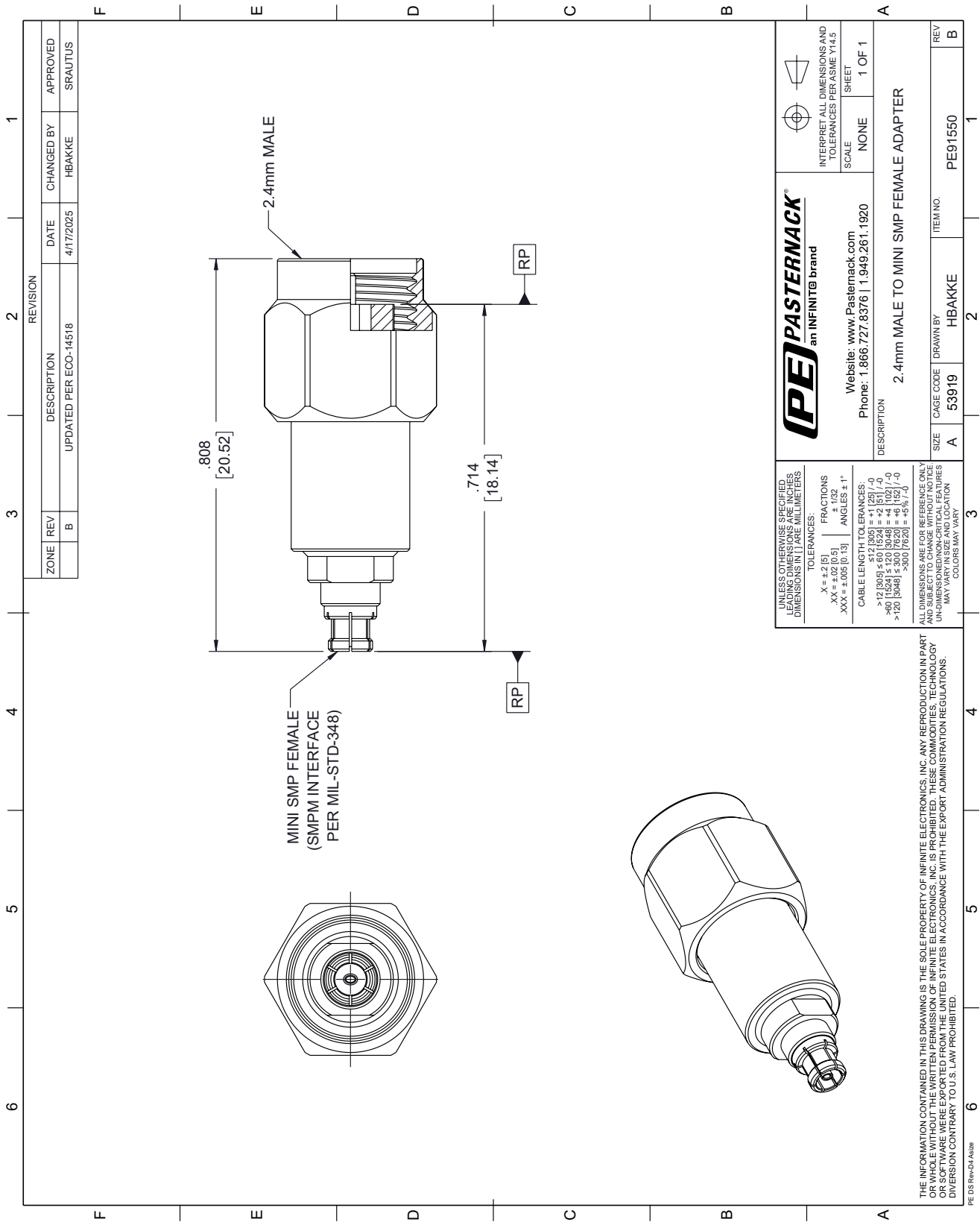
Click the following link (or enter part number in "SEARCH" on website) to obtain additional part information including price, inventory and certifications: [2.4mm Male to Mini SMP Female Adapter PE91550](#)

URL: <https://www.pasternack.com/2.4mm-male-mini-smp-female-straight-adapter-pe91550.html>

The information contained within this document is accurate to the best of our knowledge and representative of the part described herein. It may be necessary to make modifications to the part and/or the documentation of the part in order to implement improvements. Pasternack Enterprises reserves the right to make such changes as required. Unless otherwise stated, all specifications are nominal. Pasternack Enterprises does not make any representation or warranty regarding the suitability of the part described herein for any particular purpose, and Pasternack Enterprises does not assume liability arising out of the use of any part or document.

PE91550 CAD Drawing

2.4mm Male to Mini SMP Female Adapter



ZONE		REVISION	
REV	DESCRIPTION	DATE	CHANGED BY
B	UPDATED PER ECO-14518	4/17/2025	HBAKKE
			APPROVED
			SRAUTUS

PE PASTERNAK
an INFINITO brand

Website: www.Pasternack.com
Phone: 1.866.727.8376 | 1.949.261.1920

SCALE: NONE SHEET: 1 OF 1

INTERPRET ALL DIMENSIONS AND TOLERANCES PER ASME Y14.5

DESCRIPTION: 2.4mm MALE TO MINI SMP FEMALE ADAPTER

SIZE	CAGE CODE	DRAWN BY	ITEM NO.	REV
A	53919	HBAKKE	PE91550	B

UNLESS OTHERWISE SPECIFIED, LEADING DIMENSIONS IN INCHES AND DIMENSIONS IN [] ARE MILLIMETERS.

TOLERANCES:

X = ±.2 [5]	FRACTIONS ± 1/32
.XX = ±.02 [0.5]	ANGLES ± 1°
.XXX = ±.005 [0.13]	

CABLE LENGTH TOLERANCES:

≤ 12 [305]	±.125 [-0]
> 12 [305]	±.001 [524] = ±.2 [5] [-0]
> 30 [762]	±.002 [52] = ±.1 [25] [-0]
> 120 [3048]	±.003 [762] = ±.6 [152] [-0]
> 300 [7620]	±.005 [127] = ±.5% [-0]

ALL DIMENSIONS ARE FOR REFERENCE ONLY AND SUBJECT TO CHANGE WITHOUT NOTICE UNLESS INDICATED OTHERWISE. CRITICAL FEATURES MAY VARY. COLORS MAY VARY.

THE INFORMATION CONTAINED IN THIS DRAWING IS THE SOLE PROPERTY OF INFINITE ELECTRONICS, INC. ANY REPRODUCTION IN PART OR WHOLE WITHOUT THE WRITTEN PERMISSION OF INFINITE ELECTRONICS, INC. IS PROHIBITED. THESE COMMODITIES, TECHNOLOGY OR SOFTWARE WERE EXPORTED FROM THE UNITED STATES IN ACCORDANCE WITH THE EXPORT ADMINISTRATION REGULATIONS. DIVERSION CONTRARY TO U.S. LAW PROHIBITED.

PE DS Rev=04/2025