

SECTION A-A

NOTES:

MATERIAL:

MAIN BODY AND DUST CAP: PBT + GF, UL94V-0
 HOOD: MOLDED 25P PVC
 ADAPTER:
 BODY: COPPER, NICKEL PLATING
 INSULATOR: PLASTIC STEEL, BLUE
 CONTACT: COPPER, BRIGHT NICKEL PLATING

PHYSICAL CHARACTERISTICS:

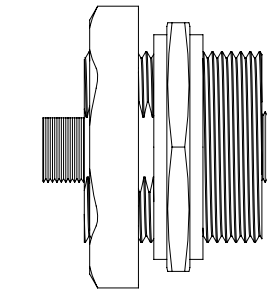
OPERATING TEMPERATURE RANGE: -10°C TO +60°C.
 STORAGE TEMPERATURE RANGE: -40°C TO +68°C.
 HUMIDITY: 10% ~ 90% RH
 IP RATING: IP68-WHEN DUST CAP IS ENGAGED.

ELECTRICAL:

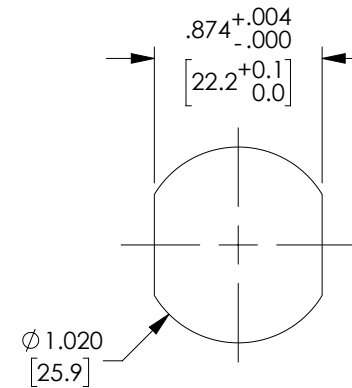
IMPEDANCE: 75 OHM

PACKAGING:

ASSEMBLY SHALL BE INDIVIDUALLY PACKAGED IN ACCORDANCE WITH L-COM SPECIFICATION PS-0031.



DUST CAP AND LANYARD NOT SHOWN



RECOMMENDED PANEL OPENING

THESE COMMODITIES, TECHNOLOGY OR SOFTWARE WERE EXPORTED FROM THE UNITED STATES IN ACCORDANCE WITH THE EXPORT ADMINISTRATION REGULATIONS. DIVERSION CONTRARY TO U.S. LAW PROHIBITED.

UNLESS OTHERWISE SPECIFIED LEADING DIMENSIONS ARE INCHES DIMENSIONS IN [] ARE MILLIMETERS

TOLERANCES:
 X = ± .2 [5.08] FRACTIONS ± 1/32
 .XX = ± .02 [.51] ANGLES ± 1°
 XXX = ± .005 [.13]

CABLE LENGTH (L) TOLERANCES:
 L ≤ 12 [305] = +1 [25] / -0
 12 [305] < L ≤ 60 [1524] = +2 [51] / -0
 60 [1524] < L ≤ 120 [3048] = +4 [102] / -0
 120 [3048] < L ≤ 300 [7620] = +6 [152] / -0
 300 [7620] < L = +5%L / -0

ALL DIMENSIONS SHOWN ARE FOR REFERENCE ONLY.



Pasternack Enterprises, Inc.
 P.O.Box 16759, Irvine, CA 92623.
 Phone: 1.949.261.1920 | 1.866.727.8376
 Fax: 1.949.261.7451
 Website: www.pasternack.com
 E-mail: sales@pasternack.com

THIRD-ANGLE PROJECTION



THE INFORMATION AND DESIGN IN THIS DOCUMENT IS THE PROPERTY OF PASTERNAK CORPORATION ALL RIGHTS RESERVED.

SHEET 1 OF 1

SCALE N/A

SIZE A	CAGE CODE 53919	DRAWN BY DMAY	ITEM NO. PEAD1265	REV A
-----------	--------------------	------------------	----------------------	----------