



Cable Assembly Boot, IP68, Weatherproof, Type N, 7/16 DIN for LMR-600 to SPX-375, Silicone Cold Shrink from 1.08 to 0.3 Inch Dia.

TECHNICAL DATA SHEET

PECB004

Description

The Pasternack PECB004 is a silicone cold shrink cable assembly boot that provides reliable weatherproofing for cable assemblies in outdoor environment. This cold shrink weatherproof insulation is suitable for Type N and 7/16 DIN connectors used with LMR-900 to SPX-500 cables. Our cold shrink gives the customer a unique way to add weatherproofing options for already assembled cables. The PECB004 cold shrink tubing is specifically stocked to be readily available for same business day shipment.

The Pasternack PECB004 cold shrink is a great solution for telecommunication systems where cables and connectors are exposed to UV rays, moisture, and harsh weather conditions. Our weather insulation cable assembly boot can be used on multiple different coaxial cables with multiple connector options. No special tools are required to install this silicone cold shrink, the tubes can be unwound manually to shrink down the diameter from 1.08 to 0.3 inches to form a tight seal for the cable.

This silicone weatherproof insulation is rated for 15 kV and can be used in very confined or dangerous spaces where heat shrinks are more difficult to use. The weather insulation cable boot from Pasternack is IEC60529 compliant and has IP68 ratings. This Type N and 7/16 DIN connector cold shrink sleeve provides excellent performance because of its durability, flexibility, and longevity.

PECB004 cold shrink tubing is one of over 40,000 RF, microwave and millimeter wave components supplied by Pasternack. Our silicone cold shrink weatherproofing can ship worldwide the same business day that it is bought as with our other available products. For further information on similar products, our expert technical support and knowledgeable sales team can help you get the perfect silicone cold shrink cable assembly boots for your requirements.

Features

- IP-68 Rating for optimal weather shielding
- Compliant to IEC60529
- 15KV rating
- UV Resistant
- Durable construction
- Extremely Flexible

Applications

- Physical Protection of Connectors and Cables in Wireless Networks
- Corrosion Protection for Fittings and Couplings
- Protection against Weather, Moisture, UV, Ozone, Dust and Fungus

Configuration

Body Length, in [mm]	3.54 [89.92]
Outer Diameter, in [mm]	8 [203.2]
Inner Diameter, in [mm]	6 [152.4]
Thickness, in [mm]	6 [152.4]
Weight, lbs [g]	1 [453.59]
Color	Multi

Click the following link (or enter part number in "SEARCH" on website) to obtain additional part information including price, inventory and certifications: [Cable Assembly Boot, IP68, Weatherproof, Type N, 7/16 DIN for LMR-600 to SPX-375, Silicone Cold Shrink from 1.08 to 0.3 Inch Dia. PECB004](#)



Cable Assembly Boot, IP68, Weatherproof, Type N, 7/16 DIN for LMR-600 to SPX-375, Silicone Cold Shrink from 1.08 to 0.3 Inch Dia.

TECHNICAL DATA SHEET

PECB004

Compliance Certifications (see [product page](#) for current document)

Plotted and Other Data

Notes:

- Values at +25 °C, sea level

Cable Assembly Boot, IP68, Weatherproof, Type N, 7/16 DIN for LMR-600 to SPX-375, Silicone Cold Shrink from 1.08 to 0.3 Inch Dia. from Pasternack Enterprises has same day shipment for domestic and International orders. Our RF, microwave and millimeter wave products maintain a 99.4% availability and are part of the broadest selection in the industry.

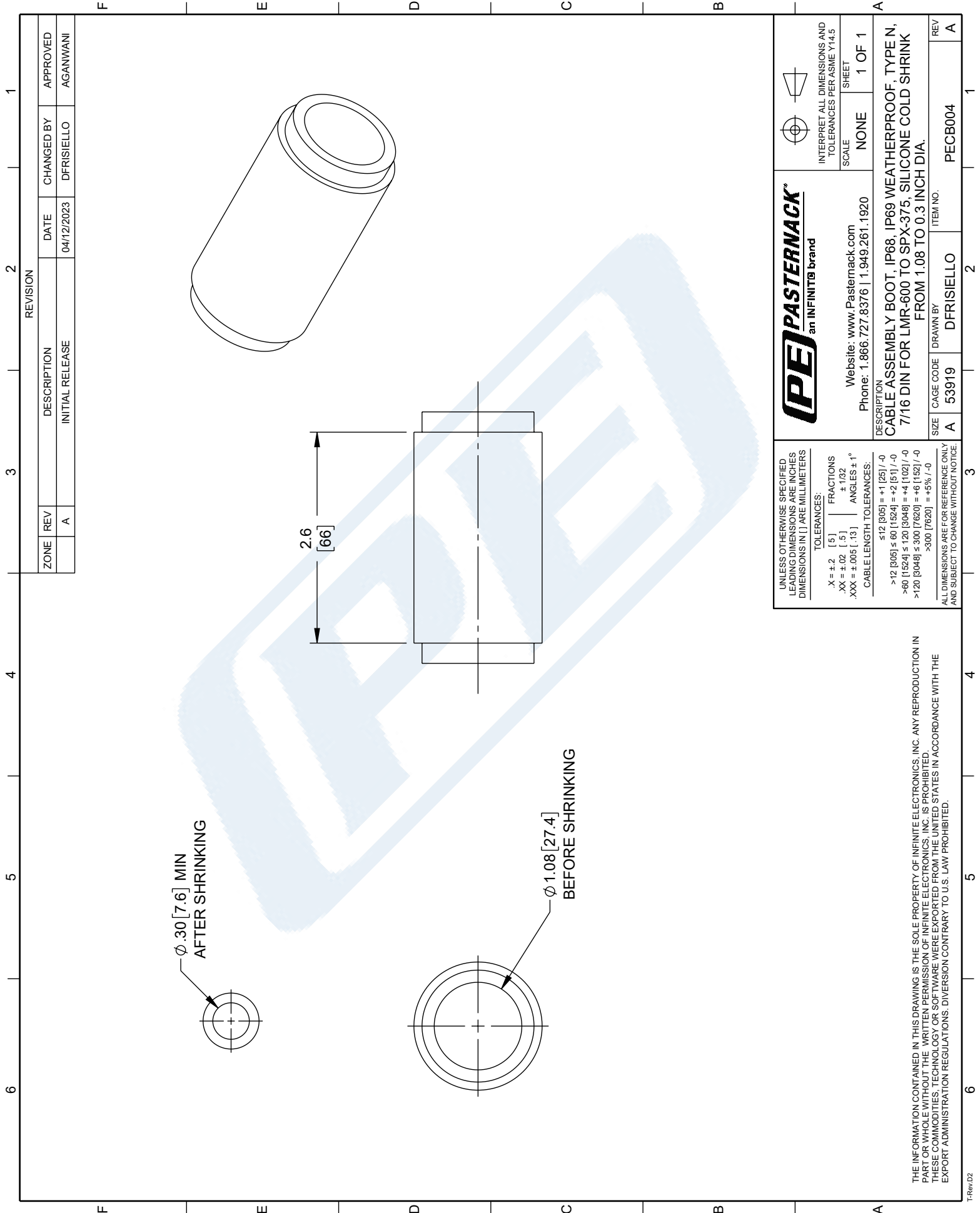
Click the following link (or enter part number in "SEARCH" on website) to obtain additional part information including price, inventory and certifications: [Cable Assembly Boot, IP68, Weatherproof, Type N, 7/16 DIN for LMR-600 to SPX-375, Silicone Cold Shrink from 1.08 to 0.3 Inch Dia. PECB004](#)

URL:

The information contained in this document is accurate to the best of our knowledge and representative of the part described herein. It may be necessary to make modifications to the part and/or the documentation of the part, in order to implement improvements. Pasternack reserves the right to make such changes as required. Unless otherwise stated, all specifications are nominal. Pasternack does not make any representation or warranty regarding the suitability of the part described herein for any particular purpose, and Pasternack does not assume any liability arising out of the use of any part or documentation.

PECB004 CAD Drawing

Cable Assembly Boot, IP68, Weatherproof, Type N, 7/16 DIN for LMR-600 to SPX-375, Silicone Cold Shrink from 1.08 to 0.3 Inch Dia.



ZONE		REV	DESCRIPTION	DATE	CHANGED BY	APPROVED
		A	INITIAL RELEASE	04/12/2023	DFRISIELLO	AGANWANI

REVISION

<p>Website: www.Pasternack.com Phone: 1.866.727.8376 1.949.261.1920</p>	<p>INTERPRET ALL DIMENSIONS AND TOLERANCES PER ASME Y14.5</p>
	<p>SCALE: NONE</p> <p>SHEET: 1 OF 1</p>
<p>DESCRIPTION: CABLE ASSEMBLY BOOT, IP68, IP69 WEATHERPROOF, TYPE N, 7/16 DIN FOR LMR-600 TO SPX-375, SILICONE COLD SHRINK FROM 1.08 TO 0.3 INCH DIA.</p>	
<p>SIZE: A</p> <p>CAGE CODE: 53919</p> <p>DRAWN BY: DFRISIELLO</p> <p>ITEM NO.: PECB004</p>	<p>REV: A</p>

UNLESS OTHERWISE SPECIFIED LEADING DIMENSIONS ARE INCHES DIMENSIONS IN [] ARE MILLIMETERS

TOLERANCES:

X = ±.2 [5] FRACTIONS ±.1032
 .XX = ±.02 [.5] ANGLES ± 1°
 .XXX = ±.005 [.13]

CABLE LENGTH TOLERANCES:

≤12 [305] = +1 [25] / -0
 >12 [305] ≤ 60 [1524] = +2 [51] / -0
 >60 [1524] ≤ 120 [3048] = +4 [102] / -0
 >120 [3048] ≤ 300 [7620] = +6 [152] / -0
 >300 [7620] = +5% / -0

ALL DIMENSIONS ARE FOR REFERENCE ONLY AND SUBJECT TO CHANGE WITHOUT NOTICE.

THE INFORMATION CONTAINED IN THIS DRAWING IS THE SOLE PROPERTY OF INFINITE ELECTRONICS, INC. ANY REPRODUCTION IN PART OR WHOLE WITHOUT THE WRITTEN PERMISSION OF INFINITE ELECTRONICS, INC. IS PROHIBITED. THESE COMMODITIES, TECHNOLOGY OR SOFTWARE WERE EXPORTED FROM THE UNITED STATES IN ACCORDANCE WITH THE EXPORT ADMINISTRATION REGULATIONS. DIVERSION CONTRARY TO U.S. LAW PROHIBITED.