



WRD-180 UG Square Cover Flange to 2.92mm Female Waveguide to Coax Adapter Operating from 18 GHz to 40 GHz in Copper Alloy

Waveguide to Coax Adapters Technical Data Sheet

PEWCA1120

Features

- 18 GHz to 40 GHz Frequency Range
- WRD-180 Double Ridge Waveguide Interface
- UG Square Cover Flange
- 2.92mm Female RF Interface
- Comprehensive waveguide offering also include E-Bends, H-Bends, Sections, Filters, Terminations, Couplers, and more.

Applications

- Test Benches
- Radar
- Satellite
- Microwave Radio Systems
- Military and Space
- Communication Systems

Description

The PEWCA1120 is an end launch double ridge waveguide to coaxial adapter operating at a frequency range of 18 GHz to 40 GHz. This adapter offers a WRD-180 waveguide interface size coupled with a precision tolerance Square Cover flange. The PEWCA1120 is constructed of copper alloy and a gold finish to ensure durability. The coaxial connector offered by this adapter uses a 2.92mm Female connector.

Configuration

Waveguide Size	WRD-180
Flange	UG Square Cover
RF Connector	2.92mm Female
Impedance	50 Ohms
Body Geometry	End Launch

Electrical Specifications

Description	Minimum	Typical	Maximum	Units
Frequency Range	18		40	GHz
VSWR		1.6:1		
Insertion Loss			0.5	dB
Input Power (CW)			30	Watts

Mechanical Specifications

Weight	0.5 lbs [226.8 g]
RF Connector	
Connector Type	2.92mm Female
Waveguide Interface	
Waveguide Type	WRD-180
Flange Type	Square Cover
Flange Designation	UG

Click the following link (or enter part number in "SEARCH" on website) to obtain additional part information including price, inventory and certifications: [WRD-180 UG Square Cover Flange to 2.92mm Female Waveguide to Coax Adapter Operating from 18 GHz to 40 GHz in Copper Alloy PEWCA1120](#)



WRD-180 UG Square Cover Flange to 2.92mm
Female Waveguide to Coax Adapter Operating
from 18 GHz to 40 GHz in Copper Alloy

Waveguide to Coax Adapters Technical Data Sheet

PEWCA1120

Body Material and Plating

Copper Alloy, Gold

Compliance Certifications (see [product page](#) for current document)

Plotted and Other Data

Notes:

- Values at +25 °C, sea level unless stated otherwise

WRD-180 UG Square Cover Flange to 2.92mm Female Waveguide to Coax Adapter Operating from 18 GHz to 40 GHz in Copper Alloy from Pasternack Enterprises has same day shipment for domestic and International orders. Our RF, microwave and millimeter wave products maintain a 99.4% availability and are part of the broadest selection in the industry.

Click the following link (or enter part number in "SEARCH" on website) to obtain additional part information including price, inventory and certifications: [WRD-180 UG Square Cover Flange to 2.92mm Female Waveguide to Coax Adapter Operating from 18 GHz to 40 GHz in Copper Alloy PEWCA1120](#)

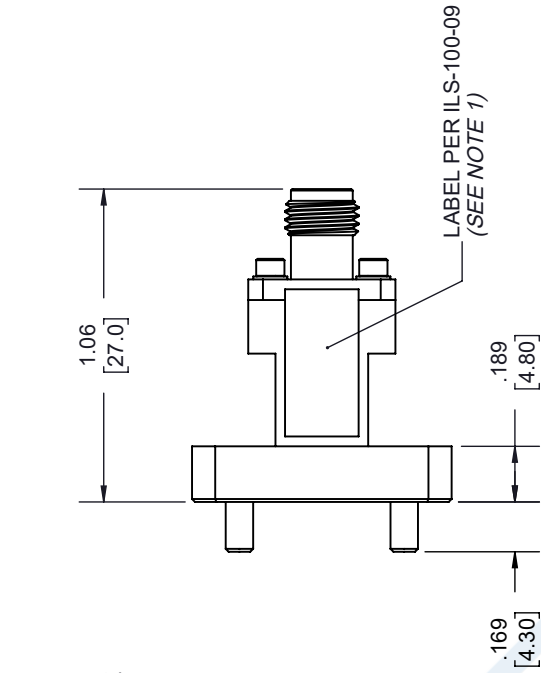
URL: <https://www.pasternack.com/wrd180-ug-square-flange-to-end-launch-2.92mm-female-waveguide-coax-adapter-pewca1120-p.aspx>

The information contained in this document is accurate to the best of our knowledge and representative of the part described herein. It may be necessary to make modifications to the part and/or the documentation of the part, in order to implement improvements. Pasternack reserves the right to make such changes as required. Unless otherwise stated, all specifications are nominal. Pasternack does not make any representation or warranty regarding the suitability of the part described herein for any particular purpose, and Pasternack does not assume any liability arising out of the use of any part or documentation.

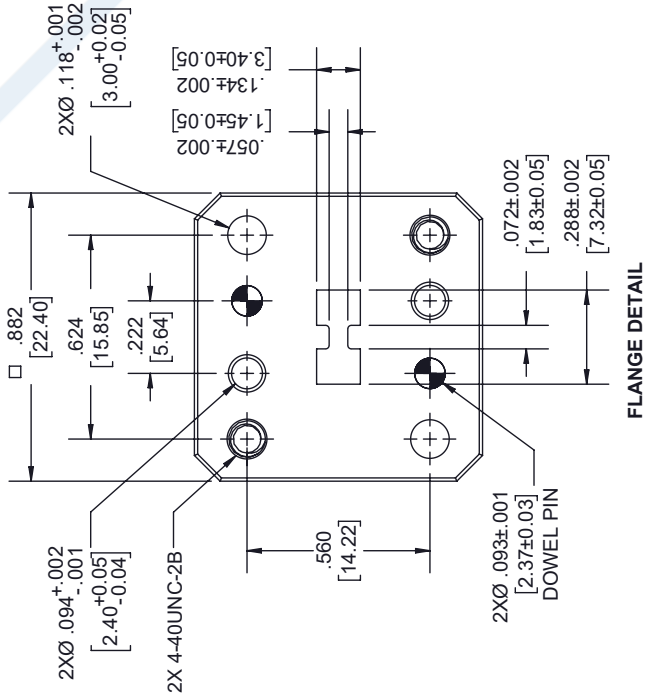
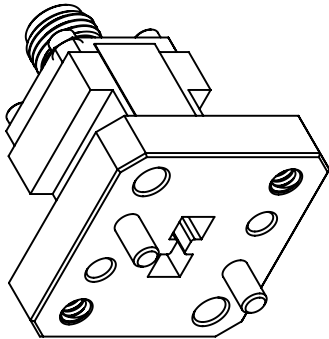
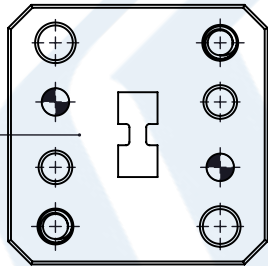
PEWCA1120 CAD Drawing

WRD-180 UG Square Cover Flange to 2.92mm Female Waveguide to Coax Adapter Operating from 18 GHz to 40 GHz in Copper Alloy

REVISIONS			
REV.	DESCRIPTION	DATE	APPROVED
A	INITIAL RELEASE	10/6/2020	S.PONG



WRD180 DOUBLE-RIDGE
FPWRD180C24 COVER FLANGE



FLANGE DETAIL

NOTES:

1. LABEL PER ILS-100-09. FOR INTERNAL REFERENCE ONLY. LABEL LOCATION FOR REFERENCE ONLY.

UNLESS OTHERWISE SPECIFIED LEADING DIMENSIONS ARE INCHES DIMENSIONS IN [] ARE MILLIMETERS

TOLERANCES:
 .X = ±.2 [5.08] FRACTIONS ± 1/32
 .XX = ±.02 [.51] ANGLES ± 1°
 .XXX = ±.005 [.13] CABLE LENGTH (L), TOLERANCES:
 L ≤ 12 [305] = +1 [25] / -0
 12 [305] < L ≤ 60 [1524] = +2 [51] / -0
 60 [1524] < L ≤ 120 [3048] = +4 [102] / -0
 120 [3048] < L ≤ 300 [7620] = +6 [152] / -0
 300 [7620] < L = +5% / -0

ALL DIMENSIONS SHOWN ARE FOR REFERENCE ONLY.

PE PASTERNAK
an INFINITE brand

Pasternack Enterprises, Inc.
 P. O. Box 16759, Irvine, CA 92623.
 Phone: 1.949.261.1920 | 1.866.727.8376
 Fax: 1.949.261.7451
 Website: www.pasternack.com
 E-mail: sales@pasternack.com

SIZE [CAGE CODE] DRAWN BY ITEM NO.
 A 53919 K.DANG PEWCA1120

THIRD-ANGLE PROJECTION

THE INFORMATION AND DESIGN IN THIS DOCUMENT IS THE PROPERTY OF PASTERNAK CORPORATION ALL RIGHTS RESERVED.

SHEET 1 OF 1

SCALE N/A

REV A